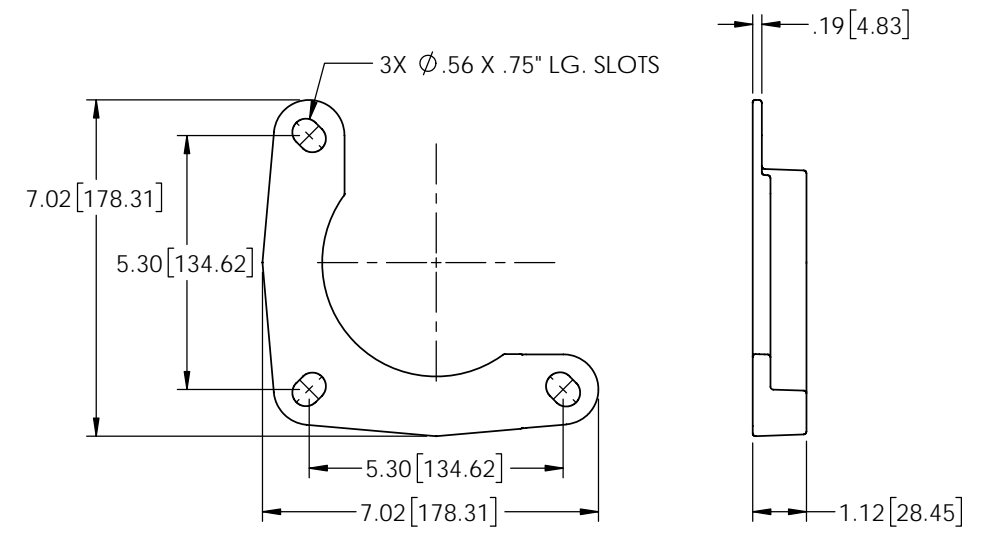
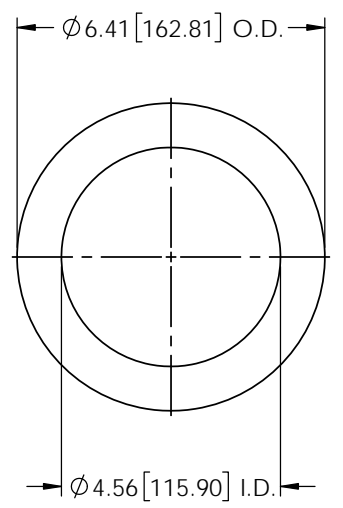


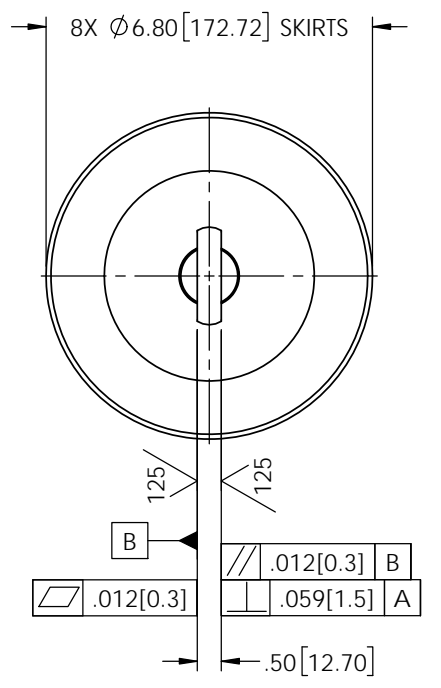
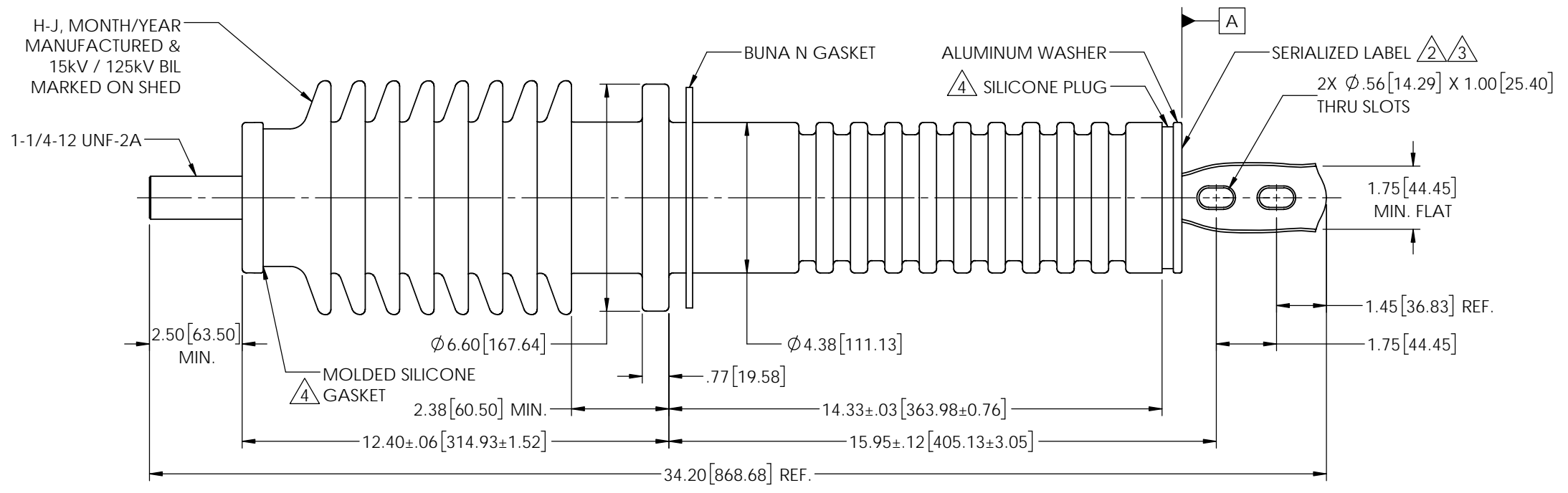
REVISIONS					
REV.	DATE	ECN #	DESCRIPTION	BY	APPROVED
1	3/31/2015	HJ15-077	ADDED GASKET, SW REDRAW	TJF	BLB
2	7/20/2015	PQI E1502001	ADDED SERIALIZED LABEL	CLS	CJT
3	9/30/2015	HJ15-216	MOVED LOCATION OF SERIALIZED LABEL	TJF	CJT
4	2/22/2022	HJ22-025	MOLDED SILICONE GASKET & PLUG	CLS	CJT



ROOF MOUNTING FLANGE
 REQUIRED: 2 PER ASSEMBLY
 MATERIAL: ALUMINUM



BUSHING TO ROOF GASKET
 REQUIRED: 1 PER ASSEMBLY
 MATERIAL: .19" ±.020" NITRILE BUNA N



TECHNICAL CHARACTERISTICS	
SPECIFICATIONS	VALUE
RATED MAXIMUM VOLTAGE	15kV
RATED CONTINUOUS CURRENT	1250A
BASIC IMPULSE LEVEL (BIL)	125kV
RATED FREQUENCY WITHSTAND (DRY) - 60s	50kV
RATED FREQUENCY WITHSTAND (WET) - 10s	45kV
CREEP DISTANCE	
TOP	25.20" [640.08mm]
BOTTOM	18.39" [467.11mm]
STRIKE DISTANCE	
TOP	10.69" [271.53mm]
BOTTOM	14.34" [364.35mm]
CANTILEVER OPERATING LOAD	625N
CANTILEVER TEST LOAD	1250N
INSTALLATION TORQUE	130 in-lb
PORCELAIN COLOR	GRAY - MUNSELL 5BG 7.0/0.4
APPROXIMATE WEIGHT	41.7lb [18.9kg]

COMPONENTS	MATERIAL
INSULATOR	WET PROCESS PORCELAIN
CONDUCTOR	COPPER C11000
TERMINAL	
TOP	TIN PLATED
BOTTOM	TIN PLATED
GASKET	NITRILE BUNA N
CLAMP	ALUMINUM

NOTES:

- PORCELAIN TOLERANCE ±3% WITH NOTHING LESS THAN ±.03", UNLESS OTHERWISE NOTED.
- APPROVED FOR COASTAL AND HIGH CONTAMINATION ENVIRONMENTS.

THIRD ANGLE 	TOLERANCES (EXCEPT AS NOTED)		H-J ENTERPRISES, INC. 3010 HIGH RIDGE BLVD. HIGH RIDGE, MO. 63049 USA PHONE 1-636-677-3421 FAX 1-636-376-1915	
	DECIMAL ± .032"/.8mm		FRACTIONAL ±	AIR-TO-AIR PORCELAIN BUSHING ASSEMBLY 125kV BIL • 15kV • 1250A
PROPRIETARY AND CONFIDENTIAL THE INFORMATION CONTAINED IN THIS DRAWING IS THE SOLE PROPERTY OF H-J ENTERPRISES, INC. ANY REPRODUCTION IN PART OR AS A WHOLE WITHOUT THE WRITTEN PERMISSION OF H-J ENTERPRISES, INC. IS PROHIBITED.	ANGULAR ± 2 Degrees	DRAWN BY CLS	DATE 04/28/2014	DRAWING NO. AS1423-008